



# SPECIFICATIONS

## DESCRIPTION

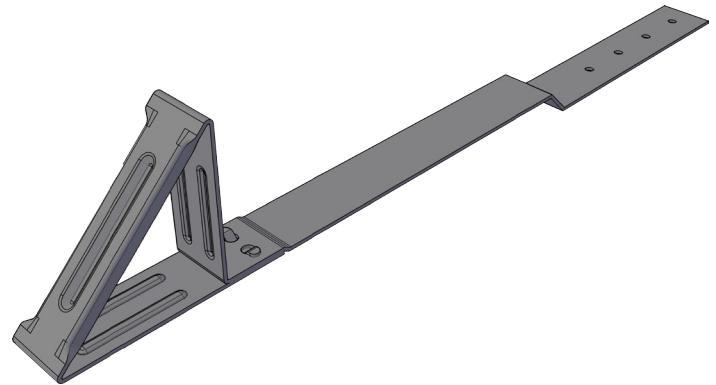
- Designed for Ludowici® Flat tile, S-Tile, & Pan & Cover Tile
- Can be used with Ludowici® Flat Slab, Antique, Brittany, Calais, Colonial, Crude, Norman, Provincial, Georgian, Greek, Roman, & Tapered Mission tiles
- Formed to correspond to tile's length
- Bracket fastens to roof sheathing material
- Superior strength
- Can be powder coated to match roofing material color
- Overall dimensions: 1-3/16"W X 3-9/16"H X VAR"L

## MATERIALS

- Steel :: 16 ga
- Copper :: 48 oz. (ASTM B152)
- Cor-ten :: 16 ga (ASTM A606)
- Aluminum :: .063" (H32 - ASTM B209)

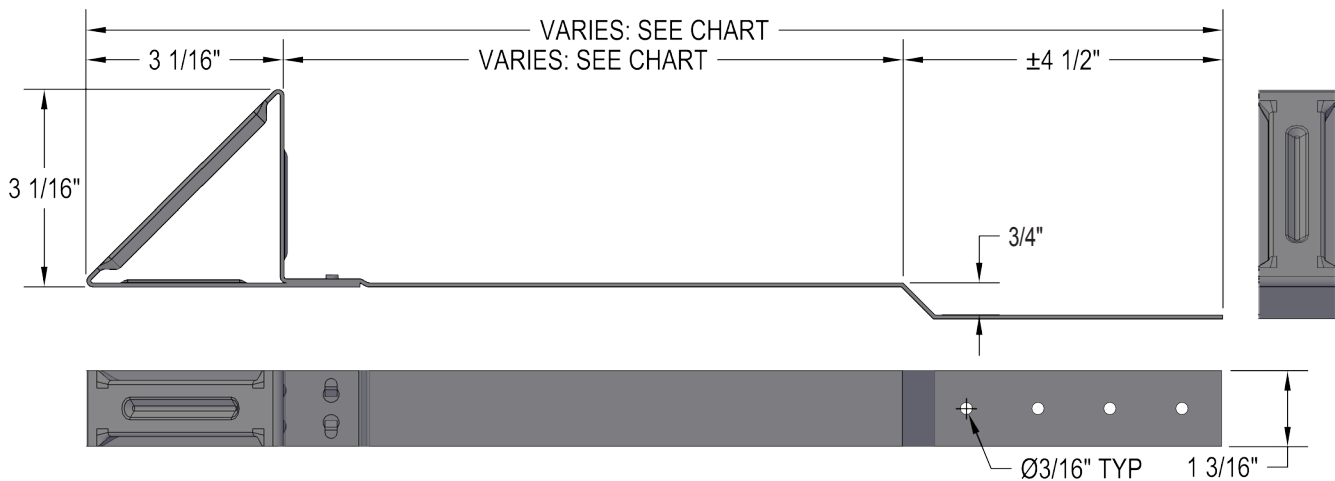
## COLORS/FINISHES

- Electro-galvanized steel (ASTM A879)
- Hot-dipped galvanized steel
- Copper
- Mill finish Aluminum
- Powder coating available in RAL Standard colors
- Visit [www.tra-mage.com/products.html](http://www.tra-mage.com/products.html) to see color chart



## LUDOWICI® BRACKET FOR FLAT, PAN & COVER TILE ROOFS

Flat Slab, Antique, Brittany, Calais, Colonial, Crude, Norman, Provincial, Georgian, Greek, Roman, Tapered Mission



**BRACKET DIMENSIONS**  
(DO NOT SCALE)

LUDOWICI® TILE BRACKET LENGTHS					
Tile Name	Bracket Length	Tile Name	Bracket Length	Tile Name	Bracket Length
Flat Slab	16 1/2"	Colonial	19"	Georgian	19 3/8"
Antique	16 1/2"	Crude	16 1/2"	Greek	17 1/4"
Brittany	16 1/2"	Norman	19 3/8"	Roman	17 1/4"
Calais	19 3/8"	Provincial	19 3/8"	Tapered Mission	19 3/8"