



SPECIFICATIONS

DESCRIPTION

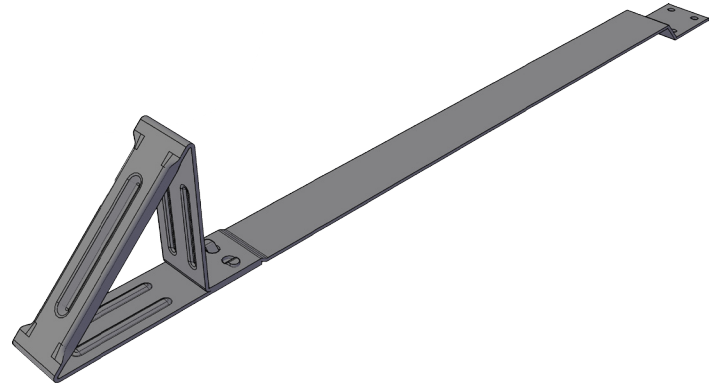
- Designed for Ludowici® S-Tile, & Pan & Cover Tile
- Can be used with Ludowici® Spanish, Italian Pan, & Palm Beach tiles
- Formed to correspond to tile's length
- Bracket fastens to roof sheathing material
- Superior strength
- Can be powder coated to match roofing material color
- Overall dimensions: 1-3/16"W X 3-9/16"H X 19-3/8"L

MATERIALS

- Steel :: 16 ga
- Copper :: 48 oz. (ASTM B152)
- Cor-ten :: 16 ga (ASTM A606)
- Aluminum :: .063" (H32 - ASTM B209)

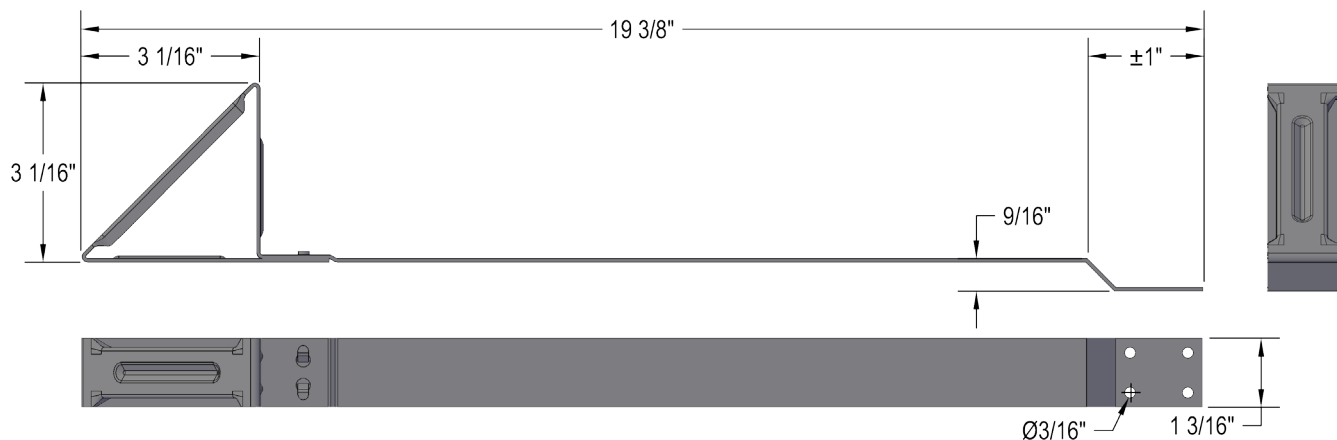
COLORS/FINISHES

- Electro-galvanized steel (ASTM A879)
- Hot-dipped galvanized steel
- Copper
- Mill finish Aluminum
- Powder coating available in RAL Standard colors
- Visit www.tra-mage.com/products.html to see color chart



LUDOWICI® BRACKET FOR SPANISH, PAN & COVER TILE ROOFS

Spanish Tile, Italian Pan, Palm Beach



BRACKET DIMENSIONS
(DO NOT SCALE)