

SNOW BRACKET I

DESCRIPTION

- Designed for use on corrugated metal roofs
- Bracket tail bent to match panel corrugation
- Available with standard or inverse corrugation
- Installed using (2) #14 fasteners
- Can be powder coated to match roofing material color
- Overall dimensions: 10" L X 1-3/16" W X 3" H

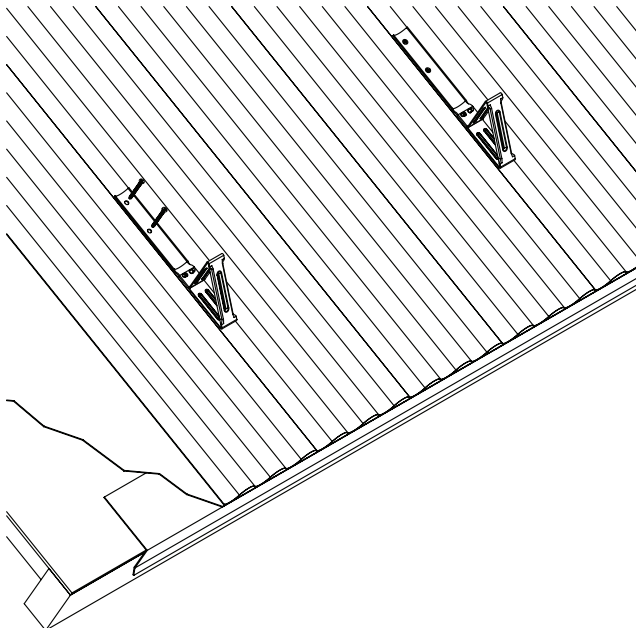
MATERIALS

- Steel :: 16 ga
- Copper :: 48 oz. (ASTM B152)
- Cor-Ten® :: 16 ga (ASTM A606)
- Stainless Steel :: 16 ga
- Aluminum :: .063" (H32 - ASTM B209)

COLORS/FINISHES

- Electro-galvanized steel (ASTM A879)
- Hot-dipped galvanized steel
- Mill finish Copper
- Mill finish Aluminum
- Powder coating available in RAL Standard colors
- Visit <http://tra-mage.com/color-chart/> to see color chart

NOTE: Due to specific job conditions, TRA-MAGE will only warranty a snow retention system/layout that has been designed by TRA-MAGE.



Bracket installed using (2) #14 screws fastened through roof material and sheathing below. Bracket installed with triangular portion of bracket towards roof eave.

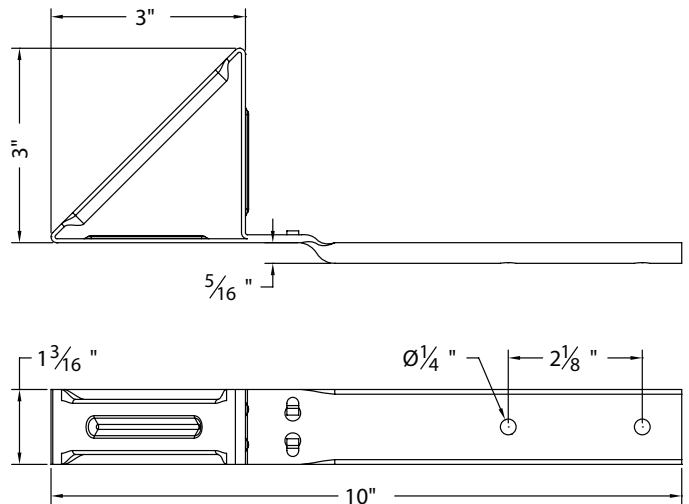
BRACKET INSTALLATION

DO NOT SCALE



FOR NEW CONSTRUCTION OR RETROFIT

USED ON: CORRUGATED METAL



*Reverse corrugation option also available.

BRACKET DIMENSIONS

DO NOT SCALE