

SNOW BRACKET D

DESCRIPTION

- Designed for new construction asphalt shingles
- Can be used with most asphalt shingle makes or models
- Installed as shingles are installed
- Bracket fastens to roof sheathing
- Superior strength
- Can be powder coated to match roofing material color
- Overall dimensions: 1-3/16" W X 3" H X 10" L

MATERIALS

- Steel :: 16 ga (ASTM A879)
- Copper :: 48 oz. (ASTM B152)
- Cor-Ten[®] :: 16 ga (ASTM A606)
- Stainless Steel :: 18 ga (ASTM A240)
- Aluminum :: .063" (H32 - ASTM B209)

COLORS/FINISHES

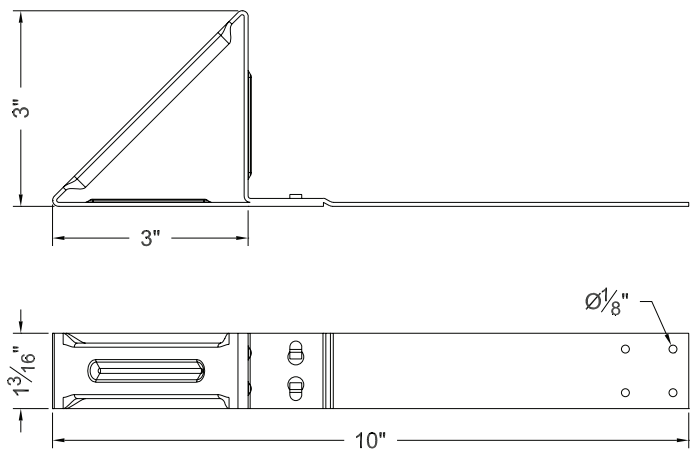
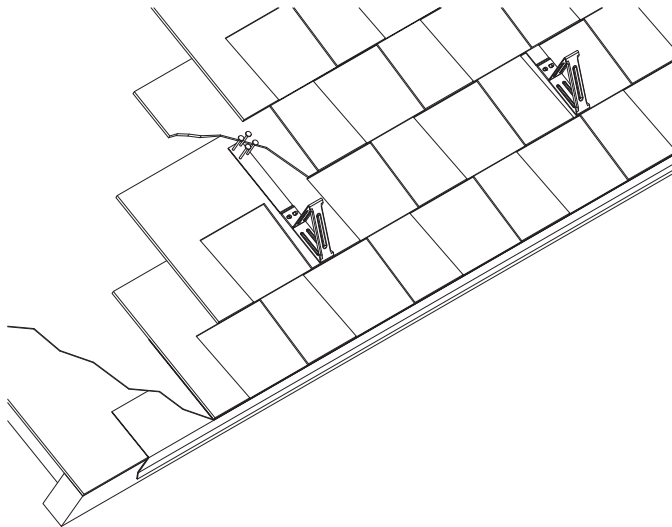
- Electro-galvanized steel
- Hot-dipped galvanized steel
- Mill finish Copper
- Mill finish Aluminum
- Powder coating available in RAL Standard colors
- Visit <http://tra-mage.com/color-chart/> to see color chart

NOTE: Due to specific job conditions, TRA-MAGE will only warranty a snow retention system/layout that has been designed by TRA-MAGE.



FOR NEW CONSTRUCTION

USED ON: ASPHALT SHINGLES



Bracket to be installed using (4) #8 stainless steel screws or roofing nails fastened through roofing material and sheathing below. Fasteners should be hidden under roofing material course above.

BRACKET INSTALLATION

DO NOT SCALE

BRACKET DIMENSIONS

DO NOT SCALE