

SNOW FENCE D-LOG

DESCRIPTION

- Designed for use in new construction applications
- Can be manufactured for 6", 8" or 10" log diameters
- Can be used with most common roofing materials
- Fastens to rafter, purlin, or other structural roof member
- Superior strength
- Can be powder coated to match roofing material color
- Overall dimensions: 2-1/4"W X 15-1/2"H X 27-3/4"L

MATERIALS

- Steel :: 1/4" (ASTM A36)
- Copper :: 3/8" (ASTM B124)
- Cor-Ten[®] :: 1/4" (ASTM A606)

COLORS/FINISHES

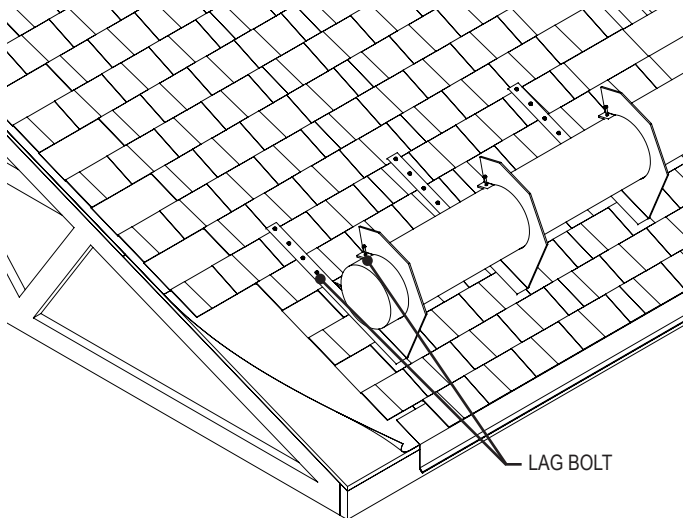
- Raw steel
- Electro-galvanized steel
- Hot-dipped galvanized steel
- Mill finish Copper
- Mill finish Cor-Ten[®]
- Powder coating available in RAL Standard colors
- Visit <http://tra-mage.com/color-chart/> to view color chart

NOTE: Due to specific job conditions, TRA-MAGE will only warranty a snow retention system/layout that has been designed by TRA-MAGE.



FOR NEW CONSTRUCTION

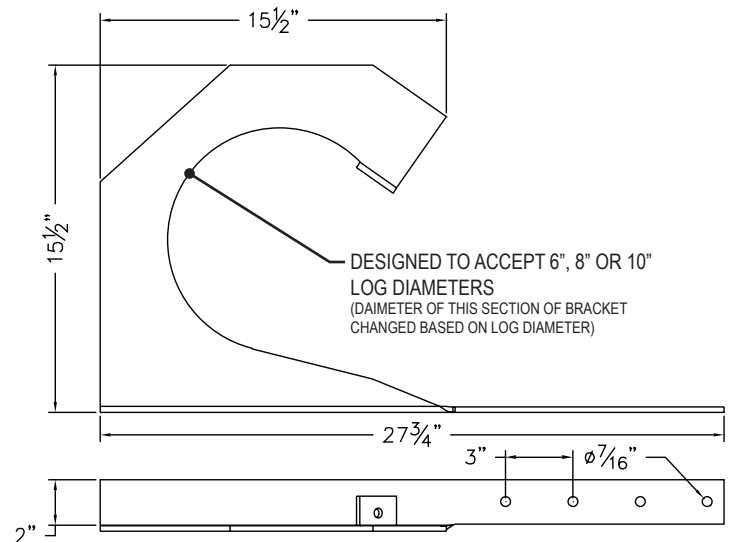
**USED ON: MOST ROOF MATERIAL TYPES
WITH WOOD FRAMING**



Fence bracket to be installed using (4) 3/8" x 4" (or longer) lag bolts fastened into roof truss, rafter, purlin or other structural roof member. Fasteners should penetrate structural member no less than 2-3/4". Lag bolt is also required to secure log to fence bracket through tab provided.

FENCE INSTALLATION

DO NOT SCALE



FENCE BRACKET DIMENSIONS

DO NOT SCALE