

D1H DECK MOUNT

DESCRIPTION

- Designed for most stick framed roof types
- Accepts 1" (1.315"OD) fence pipe
- Installed using (4) 3/8" Lag bolts
- Must be installed into structural roof member such as a truss or rafter beam
- Ice Flags as option
- Powder coated to match roofing material color
- Overall dimensions: 5"L X 2-1/4"W X 4"H

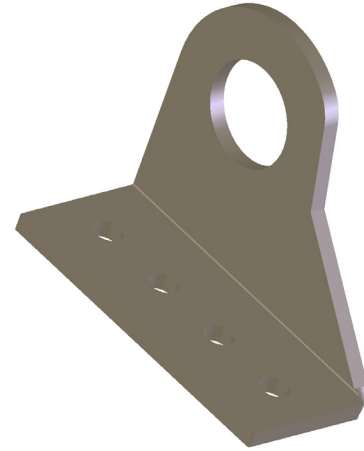
MATERIALS

- 1/4" Steel (ASTM A709 Gr 36)

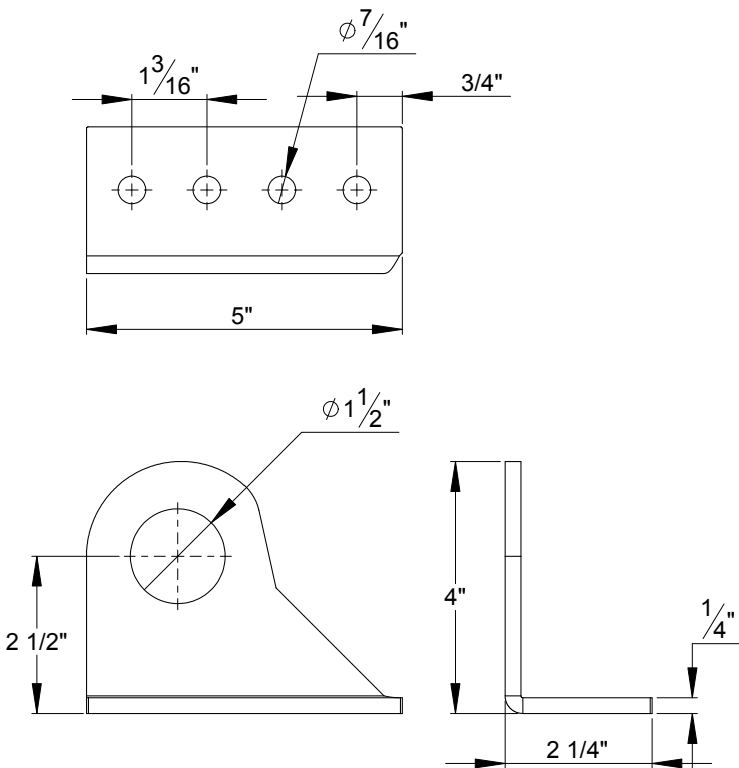
COLORS/FINISHES

- Zinc plated steel (ASTM B 633, Type II, SC3)
- Powder coating available in RAL Standard colors
- Visit www.tra-mage.com to see color chart

NOTE: Due to specific job conditions, TRA-Mage will only warranty a snow retention system/layout that has been designed by TRA-Mage.

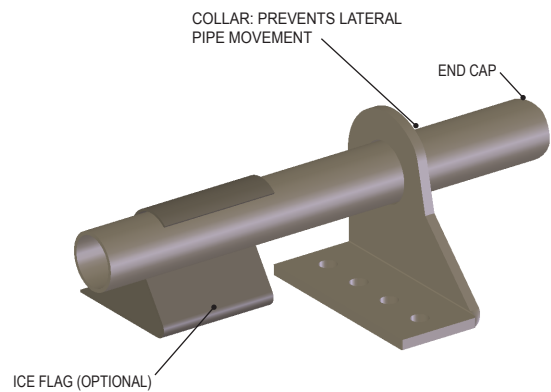


**1 PIPE SNOW FENCE SYSTEM
FOR: ASPHALT SHINGLES, CEDAR SHINGLES, FLAT SEAM METAL, GRANULE METAL, METAL PANEL, SLATE, SIMULATE SLATE, TILE ROOFS, & WOOD SHAKES**



FENCE BRACKET DIMENSIONS

DO NOT SCALE



SNOW FENCE CONFIGURATION

DO NOT SCALE