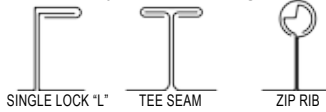


DESCRIPTION

- Designed for standing seam metal roofs
- Available for all rib types including:



- Accepts 3/4" fence pipe
- Allows for full installation without any penetration of the roof surface
- Powder coated to match roofing material color
- Overall dimensions: 5.19"L X 1-15/16"W X VAR height
- Dimensions of clamp vary based on rib type and height

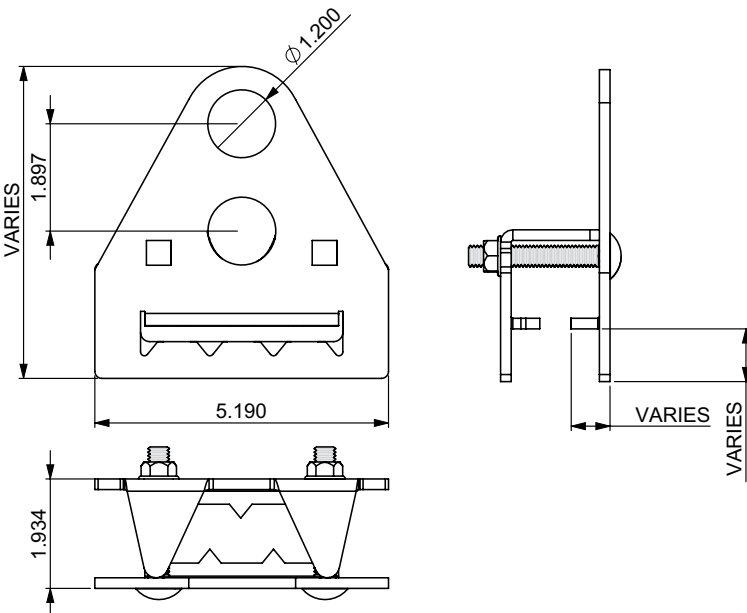
MATERIALS

- 3/16" Steel (ASTM A709 Gr 36)
- 1/4" Aluminum
- 3/8" Dia X VAR carriage bolt (2)

COLORS/FINISHES

- Zinc plated steel (ASTM B 633, Type II, SC3)
- Mill finish Aluminum
- Powder coating available in RAL Standard colors
- Visit www.tra-mage.com to see color chart

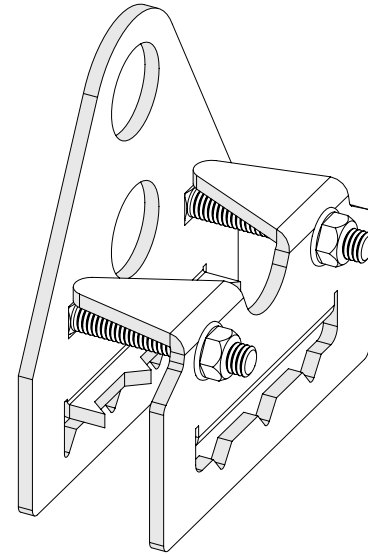
NOTE: Due to specific job conditions, TRA-Mage will only warranty a snow retention system/layout that has been designed by TRA-Mage.



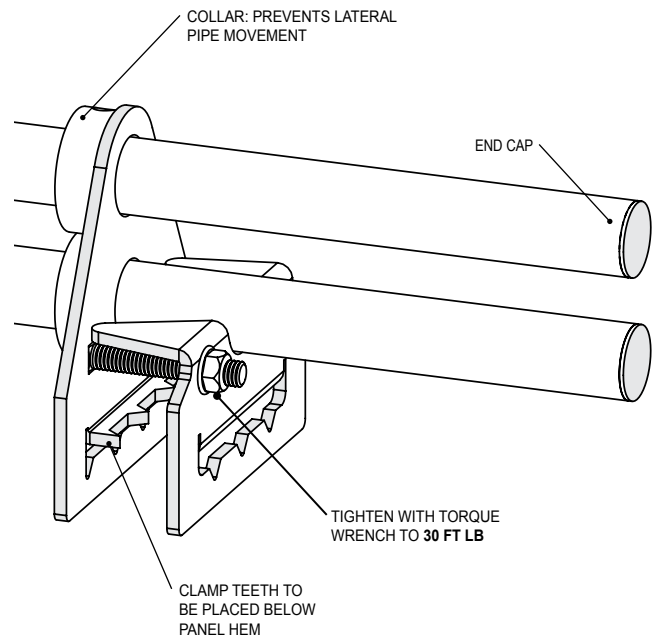
* Bracket dimensions will vary based on the panel rib type and height

BRACKET DIMENSIONS

DO NOT SCALE



C32Z CLAMP-ON 2 PIPE SNOW FENCE SYSTEM FOR: STANDING SEAM METAL



BRACKET ASSEMBLY

DO NOT SCALE