

LET IT SNOW!



CLAMP-ON SNOW FENCE
FOR STANDING SEAM METAL ROOFS
07 72 53



STRONG | SAFE | RELIABLE
BOLTED ASSEMBLY, NO SLIDING, NO PANEL PENETRATION





CLAMP-ON SNOW FENCE FOR STANDING SEAM METAL ROOFS 07 72 53

The Clamp-on Snow Fence by T.R.A.-MAGE fits many roof profiles using a safe, reliable and attractive design. Our exclusive attachment system, using under-the-hem clamping and bolting, provides superior strength. Its attractive appearance and proven performance make T.R.A.-MAGE's Clamp-on Snow Fences ideal for both commercial and residential projects.

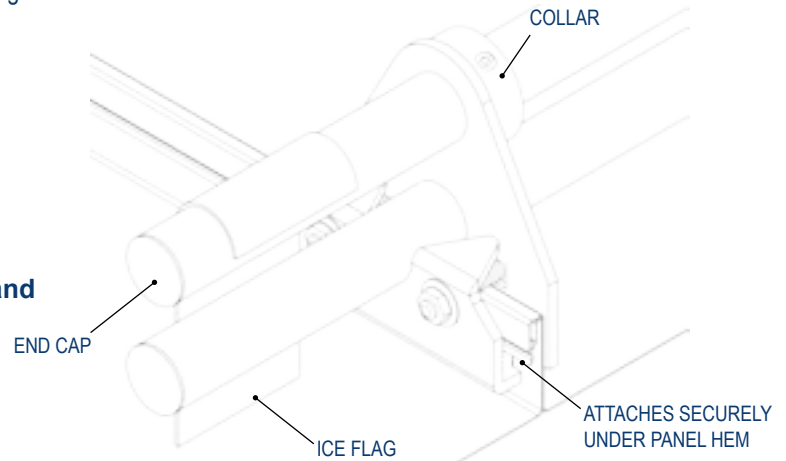
PRODUCT Highlights:

- Clamp-on are designed to work with virtually any seam type including:

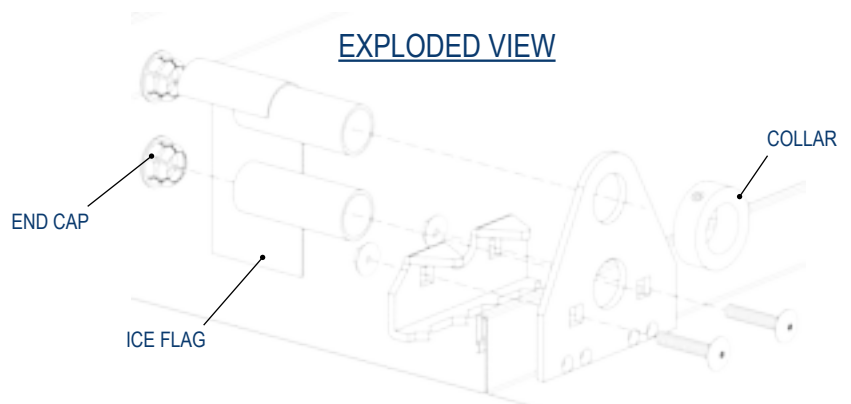


- Easy-to-install
- Does not penetrate** standing seam panel
- Does not restrict** thermal expansion/contraction of the panel
- Firmly **attaches under the hem** to provide superior strength
- Secured with a bolt system to **eliminate sliding, detaching and thread stripping**
- Available in a **one** or **two** pipe system
- Two layers of rust protection (zinc plated and powder coated)
- Powder Coated for durability and protection from the elements
- Available in standard or custom colors to match panel/roofing color
- Engineered system**
- Custom layouts provided
- Manufactured from recycled material

C-2-2-Z FENCE ASSEMBLY



EXPLODED VIEW



PRODUCT Information:

DESCRIPTION:

- CLAMP-ON SNOW FENCE:
Available in a one or two pipe system
- PIPE:
10' sections
3/4" Pipe (1"OD)
- UNIONS:
Connect pipe lengths
- END CAPS:
Seal open end of pipe
- COLLARS:
Prevent horizontal movement; Prevent pipe separation
- ICE FLAGS:
Reduce snow and ice sliding under pipe

MATERIALS/FINISHES:

- Steel :: 3/16" (ASTM A36)
- Copper :: 1/4" (ASTM B124)
- Aluminum :: 1/4" (ASTM B308 6061)
- Cor-Ten® :: 3/16" (ASTM A606)
- Powder Coated Steel



Made in the USA